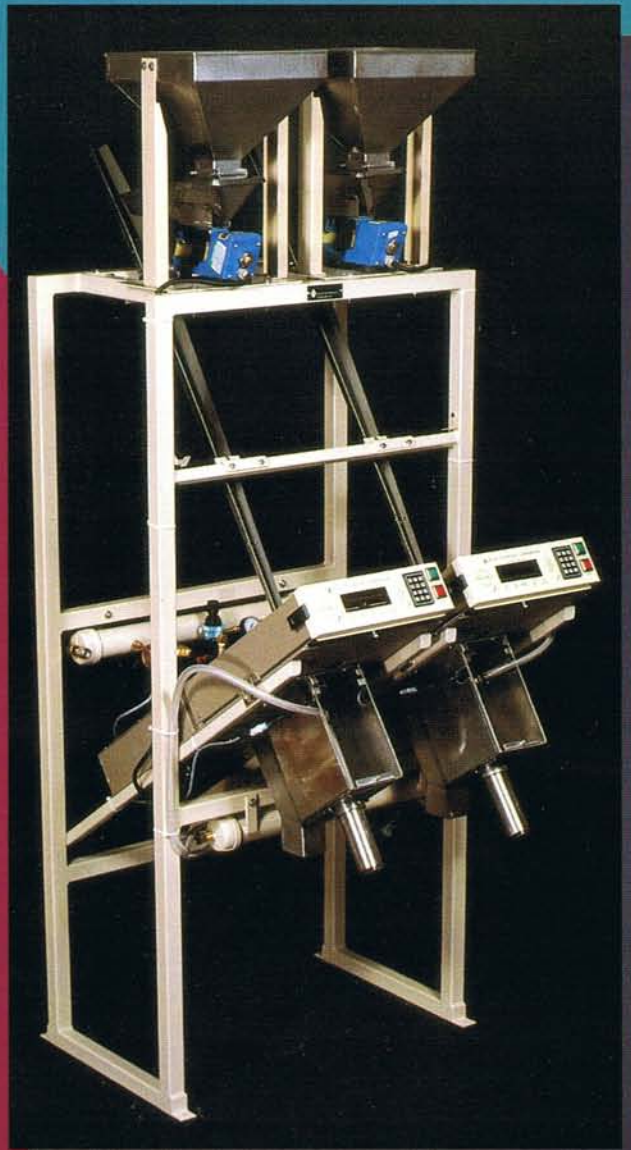
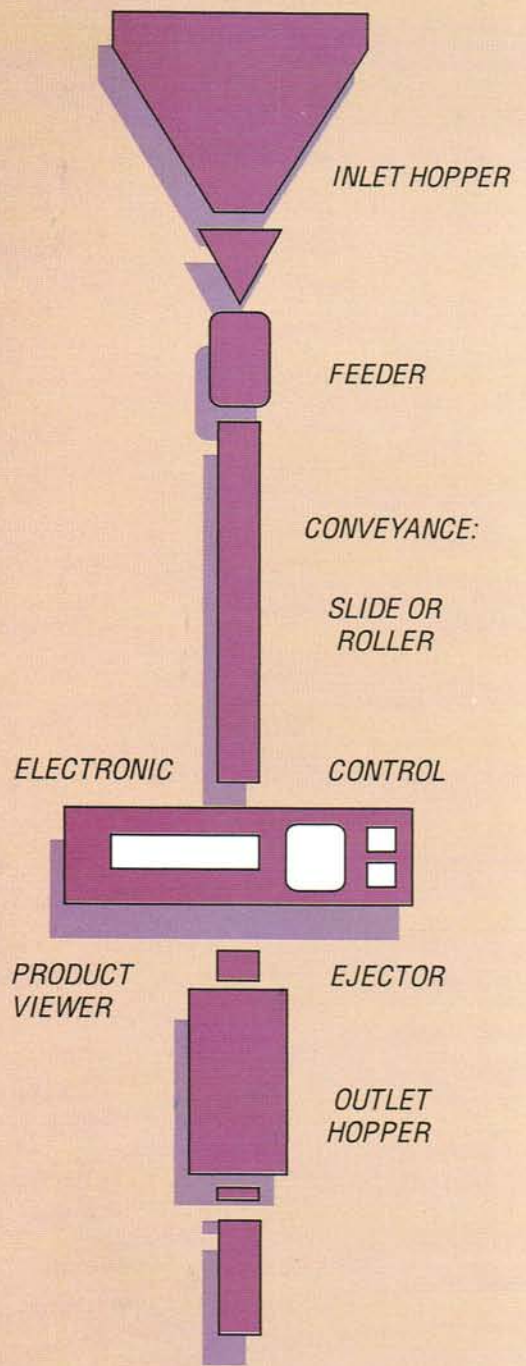




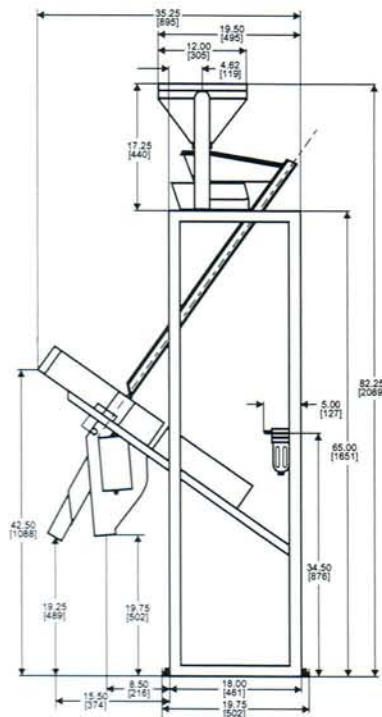
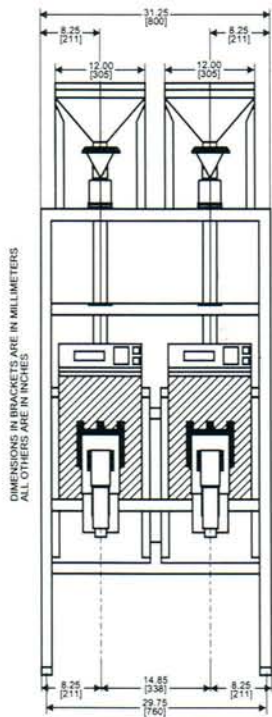
DELTA TECHNOLOGY CORPORATION



BICHROMATIC COLOR SORTER



*Advanced low temperature halogen lamps.  
Computer designed efficient optical system.*



### Specifications/Installation Requirements

#### Electrical :

- 180-250V AC 50/60 Hz. nominal
- 90-150V AC 50/60 Hz. nominal
- Consumption approximately 120 watts per channel

#### Air :

- Compressed air is required and not included with the machines.
- Nominal pressure 100 PSI (7bar) at 3 CFM per channel. Air must be clean and dry.
- Each machine is supplied with pressure regulator and air filter as standard.



DELTA TECHNOLOGY CORPORATION

Sales & Service Worldwide

Factories: Houston, Texas U.S.A. Espirito Santo do Pinhal, SP, Brazil

#### WORLD HEADQUARTERS:

1602 Townhurst,  
Houston, Texas 77043  
Phone: (713) 464-7407  
Telefax: (713)461-6753  
Telex: 496-17479 DELT HOU

#### In Brazil:

Rua Rachid Elias Sobrinho No.2  
Parque Industrial Delta  
13990 Espirito Santo do Pinhal,  
Estado de São Paulo, Brasil  
Fone: 196-514020  
Fax: 196-514180  
Telex: 2940388 BRDT BR

Delta Technology Corporation follows a policy of continuous research and development and reserves the right to modify specifications, combinations, and accessories without incurring any obligation to modify machinery previously supplied. Delta Technology Corp. sigue una política de continua investigación y desarrollo y se reserva el derecho de modificar especificaciones, combinaciones y accesorios sin incurrir en ninguna obligación de modificar la maquinaria previamente provista.

Manufactured under one or more of the following patents owned by Delta Technology Corp.

U.S.A. Patent Nos. 4,454,029/4,697,709/4,878,582/5,179,474/5,193,782/5,197,159  
United Kingdom Nos. 2,180,060B/2,133,531. Japan Nos. 1,456,748  
Mexico No. 156,593 Colombia No. 022,489  
Argentina No. 238,651/242,920 Brazil Nos. P18604203/P18305481

Additional USA and foreign patents pending or issued.