

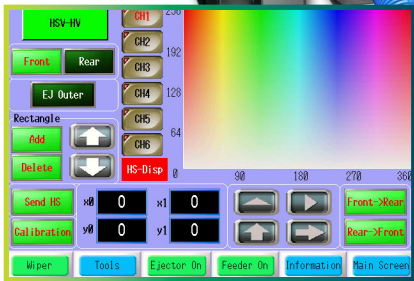
NEW!



TCS-1

Total Color Sorter

Advanced High Production single lane sorter with full color digital cameras and color mapping system.



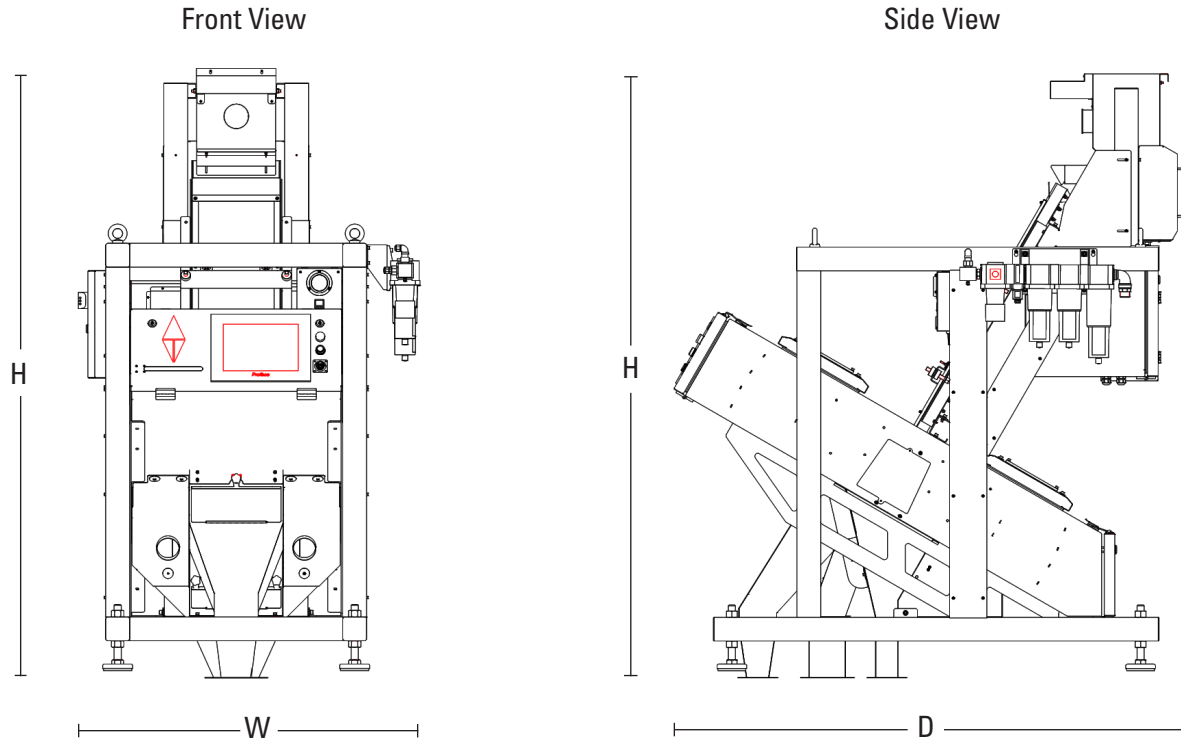
NEW TCS-1 Model Total Color Sorter

- Full color spectrum high-resolution RGB cameras can detect subtle color defects as well as the smallest defects and foreign material.
- Sophisticated color mapping of defects for easy adjustment and operation.
- Advanced LED illumination system with no frequent changeover of lamps required and low power consumption.
- Fully automatic operation with high speed DSP and ARM digital processor to ensure easy and accurate sorting.
- Options include true infrared vision, shape and size recognition, and remote monitoring and diagnostics.
- Cost effective single lane version uses minimal space requirements, but has the same high production throughput as our multi-channel TCS sorters.
- Large, full color, Windows-based touchscreen is intuitive and user-friendly.
- Tropicalized for rugged operation in harsh environments.
- Worldwide experience and world class service since 1978. Local service is available in most countries or regions.

Delta
always a step ahead

As the sorter industry's innovation leader, Delta Technology provides solutions and experience that allow our clients to enjoy optimal yields and efficiencies. When those attributes are combined with our sorters' ruggedness, competitive pricing and maintenance programs, it's easy to see why the most cost effective sorters in the world come from Delta Technology.

In business for 35+ years under the same ownership, we value product excellence, integrity, teamwork and continual self-improvement, both as a company and as individuals. We are passionate about technology and quality, and we hold ourselves absolutely accountable for our most important stakeholders, our customers. Contact us for your specific application needs.



TECHNICAL DATA

Model	TCS-1				
Electrical	110 or 220 VAC 50 or 60Hz, single phase power 1.5 KW	Operating Temperature	32°F - 104°F 0°C - 40°C	Width	1244 mm/49 in
				Depth	1725 mm/68 in
Air	26 CFM @ 90-120 PSI 0.7m ³ @ 6 - 8 Bar	Net Weight	850 Kg/1870 lbs	Height	2015 mm/79 in



1602 Townhurst | Houston, Texas 77043 | +1.713.464.7407 | Fax: +1.713.461.6753 | www.deltatechnology.com

© 2016, Delta Technology Corporation. Manufactured under one or more USA and foreign patents pending or issued. Product specifications may change without notice.