

NEW! i-IQ/TCS

(Total Color Sorter)

Advanced High Production sorter with full color digital cameras and color mapping system.



NEW i-IQ/TCS Model Total Color Sorter

- Full color spectrum high-resolution RGB cameras can detect subtle color defects as well as the smallest defects and foreign material.
- Sophisticated color mapping of defects for easy adjustment and operation.
- Advanced LED illumination system with no frequent changeover of lamps required and low power consumption.
- Fully automatic operation with high speed DSP and ARM digital processor to ensure easy and accurate sorting.
- Available in 2, 3, 4, or 5 lanes, 126, 189, 252 and 315 channels for small to large capacity requirements.
- Tropicalized for rugged operation in harsh environments.
- Worldwide experience and world class service since 1978. Local service is available in most countries or regions.



As the sorter industry's innovation leader, Delta Technology provides solutions and experience that allow our clients to enjoy optimal yields and efficiencies. When those attributes are combined with our sorters' ruggedness, competitive pricing and maintenance programs, it's easy to see why the most cost effective sorters in the world come from Delta Technology.

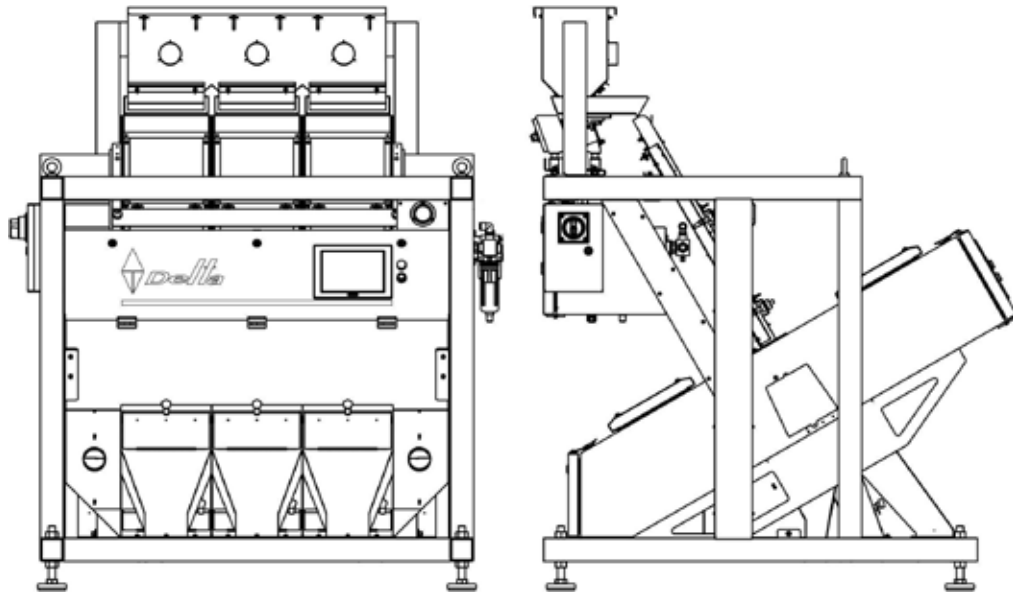
In business for 30+ years under the same ownership, we value product excellence, integrity, teamwork and

continual self-improvement, both as a company and as individuals. We are passionate about technology and quality, and we hold ourselves absolutely accountable for our most important stakeholders, our customers. Contact us for your specific application needs.

Available in these configurations to meet your throughput and resort requirements: 126, 189, 252 and 315 channels.

TECHNICAL DATA

Model	i-IQ/TCS-2	i-IQ/TCS-3	i-IQ/TCS-4	i-IQ/TCS-5
Electrical	220 VAC 50 or 60 Hz, single phase power 1.8 KW	220 VAC 50 or 60 Hz, single phase power 2.7 KW	220 VAC 50 or 60 Hz, single phase power 3.0 KW	220 VAC 50 or 60 Hz, single phase power 3.3 KW
Air	52 CFM @ 90 - 120 PSI 1.4 m ³ /minute @ 6 - 8 Bar	78 CFM @ 90 - 120 PSI 2.2 m ³ /minute @ 6 - 8 Bar	104 CFM @ 90 - 120 PSI 2.9 m ³ /minute @ 6 - 8 Bar	130 CFM @ 90 - 120 PSI 3.7 m ³ /minute @ 6 - 8 Bar
Operating Temperature	40°F - 95° F 5°C - 35°C	40°F - 95° F 5°C - 35°C	40°F - 95° F 5°C - 35°C	40°F - 95° F 5°C - 35°C
Net Weight	750 Kg/1653 lbs	800 Kg/1763 lbs	900 Kg/ 1984 lbs	1000 Kg/ 2204 lbs
Width	1312 mm/52 in	1660 mm/65 in	2008 mm/79 in	2356 mm/93 in
Depth	1620 mm/64 in	1620 mm/64 in	1620 mm/64 in	1620 mm/64 in
Height	1890 mm/74 in	1890 mm/74 in	1890 mm/74 in	1890 mm/74 in



1602 Townhurst | Houston, Texas 77043 | +1.713.464.7407 | Fax: +1.713.461.6753 | www.DeltaTechnology.com

© 2012, Delta Technology Corporation. Manufactured under one or more USA and foreign patents pending or issued. Product specifications may change without notice.